

NOTES:
 1. DIMS IN INCHES
 2. QTY:1

TITLE:		Bucket Manipulator Assembly		
DRAWN		LUCAS GUSMAN		
DESIGNED		LUCAS GUSMAN		
SIZE	DWG. NO.	REV		
A	EML2322L-A-4	C		
SCALE: 1:3		SHEET 1 OF 3		

DIMENSION TYPE	PLACES IN DIMENSION		
	0.0	0.00	0.000
LOCATIONAL	±0.050	±0.020	±0.005
ANGULAR	±5	±2	±0.5

5

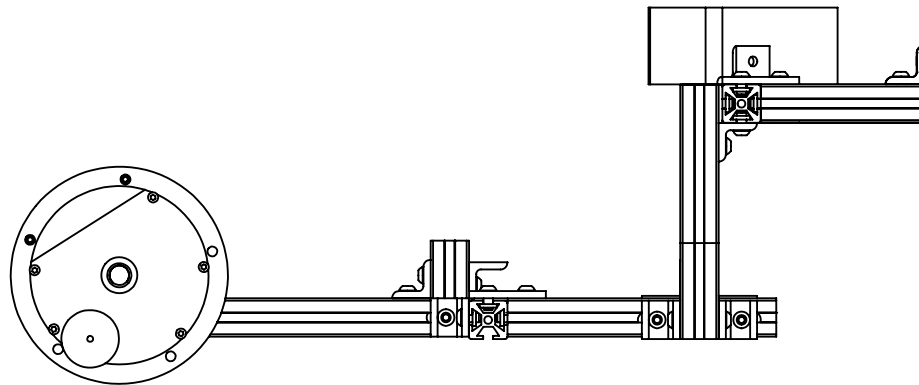
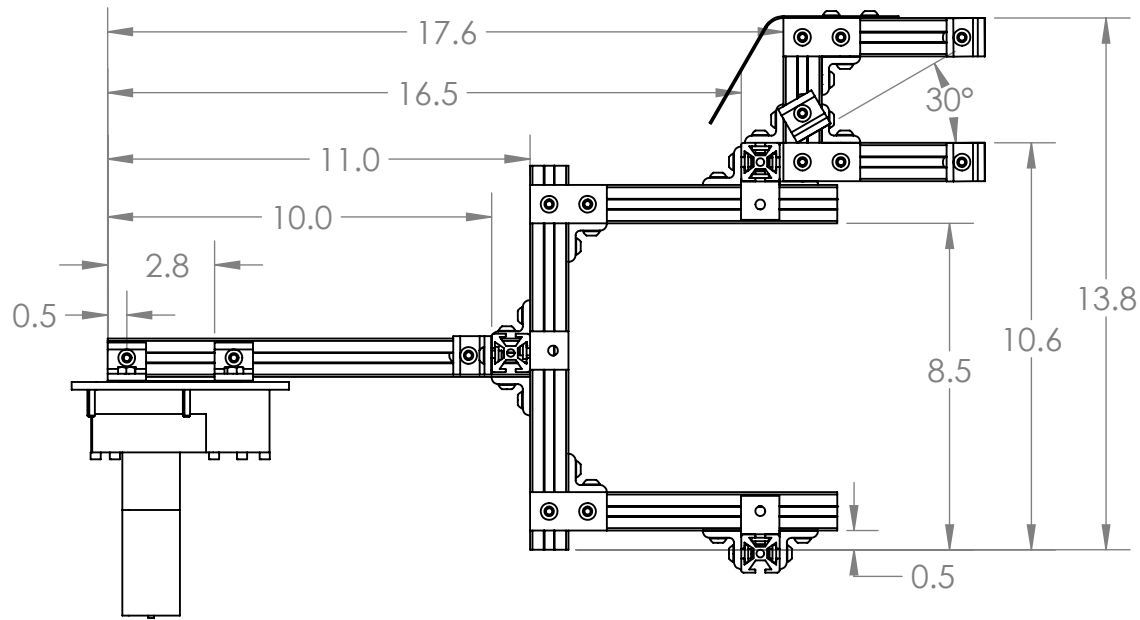
↑

4

3

2

1

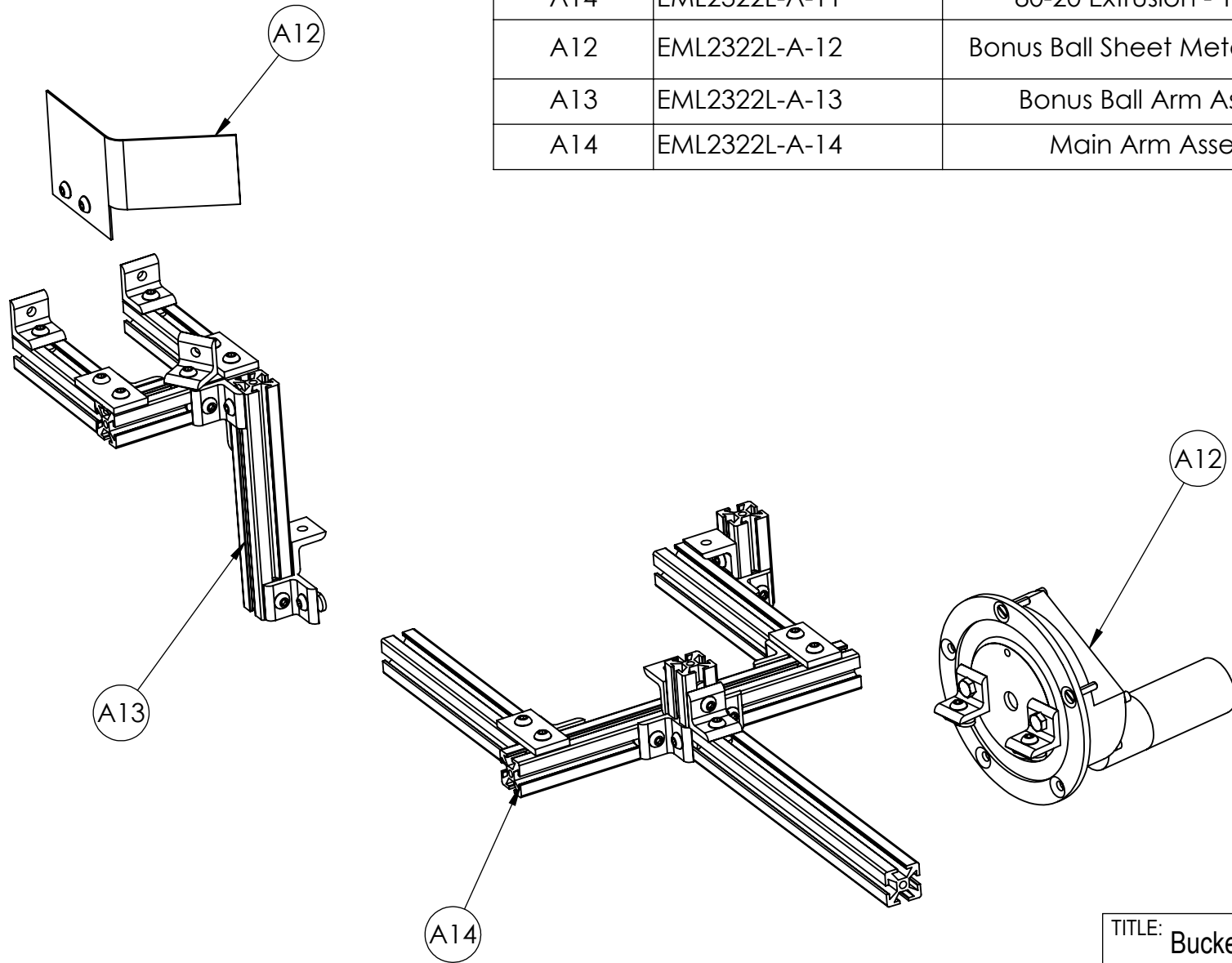


NOTES:
 1. DIMS IN INCHES
 2. QTY:1

TITLE:				
Bucket Manipulator Assembly				
DRAWN		LUCAS GUSMAN		
DESIGNED		LUCAS GUSMAN		
SIZE	DWG. NO.			REV
A	EML2322L-A-4			C
SCALE: 1:5				SHEET 2 OF 3

DIMENSION TYPE	PLACES IN DIMENSION		
	0.0	0.00	0.000
LOCATIONAL	±0.050	±0.020	±0.005
ANGULAR	±5	±2	±0.5

ITEM NO.	PART NUMBER	DESCRIPTION	QTY.
A14	EML2322L-A-11	80-20 Extrusion - 12.0 inch	1
A12	EML2322L-A-12	Bonus Ball Sheet Metal Assembly	1
A13	EML2322L-A-13	Bonus Ball Arm Assembly	1
A14	EML2322L-A-14	Main Arm Assembly	1



NOTES:
 1. DIMS IN INCHES
 2. QTY: 1

TITLE: **Bucket Manipulator Assembly**

DRAWN LUCAS GUSMAN

DESIGNED LUCAS GUSMAN

TOLERANCE UNLESS NOTED			
DIMENSION TYPE	PLACES IN DIMENSION		
	0.0	0.00	0.000
LOCATIONAL	±0.050	±0.020	±0.005
ANGULAR	±5	±2	±0.5

SIZE	DWG. NO.	REV
A	EML2322L-A-4	C
SCALE: 1:4	SHEET 3 OF 3	